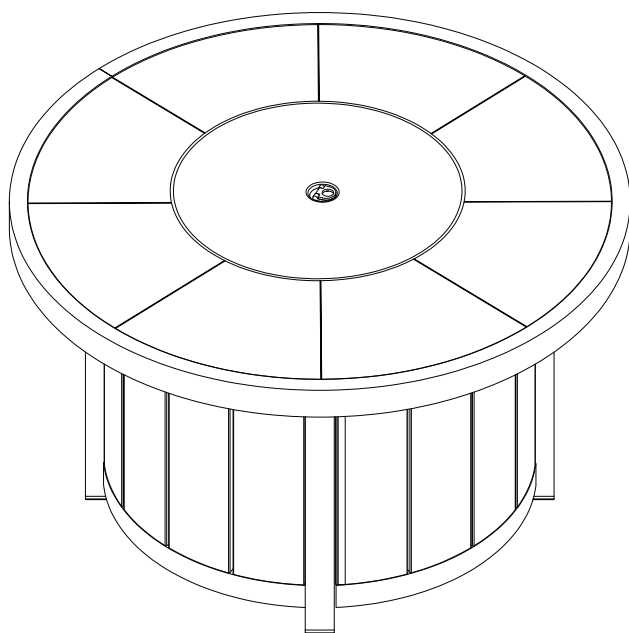


Sunbeam

Items # 9102

Boa Fire Table



! DANGER
If you smell gas:
1. Shut off gas to the appliance.
2. Extinguish any open flame.
3. If odor continues, keep away from the appliance and immediately call your gas supplier or fire department.

! WARNING
Do not store or use gasoline or other flammable vapors and liquids in the vicinity of this or any other appliance.
An LP-cylinder not connected for use shall not be stored in the vicinity of this or any other appliance.

! WARNING
For outdoor use only.

! WARNING
Improper installation, adjustment, alteration, service or maintenance can cause injury or property damage. Read the owner's manual thoroughly before installing or servicing this equipment. If the information in this manual is not followed exactly, a fire or explosion may result causing property damage, personal injury or loss of life.

! CAUTION
Do not operate this fire table if Firebowl Pan and Flame Glass are wet!



! DANGER



CARBON MONOXIDE HAZARD

This appliance can produce carbon monoxide which has no odor.

Using it in an enclosed space can kill you.

Never use this appliance in an enclosed space such as a camper, tent, car or home.



Owner's Manual

Safety Information

Before you assemble or operate this unit, please carefully read this entire manual. Failure to do so may result in a fire, explosion, injury or death.

WARNING

- The installation of this unit must adhere to local codes or either the National Fuel Gas Code, ANS Z21.97-2017/CSA 2.41-2017 Standard for Outdoor Decorative Gas Appliances.
- THIS UNIT IS INTENDED FOR OUTDOOR USE ONLY! This product shall be used outdoors, in a ventilated space and shall not be used in any enclosed area.
- Do not use any solid fuel or charcoal for this unit.
- When igniting this unit, stay away from the burner as the flame will light up and may cause injury.
- LP GAS WARNING: Do not use any more than 1/4 in. depth Flame Glass above the burner holes. Doing so will suffocate the flame.
- If the propane gas tank is leaking gas, you may hear, see, or smell a hiss. Do the following:
 1. Disconnect the propane gas tank.
 2. Do not attempt to fix the problem yourself.
 3. Contact your gas supplier or fire department for help.
- Applying too much propane may result in gas pooling and will not burn. Allow fresh air into the unit so that the remaining gas may escape.
- Do not use a flame to check for gas leaks.
- The maximum inlet supply pressure: maximum Gas supply 11 in. w.c. (2.74kPa)
- Use LP propane tanks with the following dimensions: diameter 12 in., height 18 in. - capacity 20 lbs.
- You must use a propane tank that has a collar to protect the gas valve.
- DO NOT fill tank over 80 percent full.
- The tank system must be set up for vapor withdrawal.
- Discontinue use if any part of the propane tank is damaged. Rust and dents may be hazardous and should be inspected by a gas supplier.
- Do not burn anything other than the provided materials for this fire table.
- Always ensure that Flame Glass is completely dry before use. Failure to do so may cause them to crack or break.
- Do not operate unit until all parts are fully assembled.
- Do not paint or color any part of this heating unit.
- Unit may be hot while in use, do not attempt to move it while in use.
- Never leave this heating unit unattended while in use.
- This unit is not intended for cooking.
- Keep any flammable items away and do not use any other fireplace cover for this unit.
- Keep a safe distance to avoid burning skin or clothing.
- Do not sit or rest hands or feet on this heating unit.
- Never place hands or fingers on upper portion of this unit while in use.
- Keep all electrical cords and fuel supply hose away from heated surfaces.
- Combustible material should not be within 72 in. of the top of the unit, or within 48 in. around the entire unit.
- Keep the appliance area clear and free from combustible material, gasoline and other flammable vapors and liquids.
- If the flame goes out while burning, turn the gas valve off. Wait 5 minutes before repeating the initial lighting procedure. Once you have a flame started, hold down the control knob for 1 minute.
- Do not add water into the unit.
- Do not operate unit if any part has been under water. Immediately call a qualified service technician to inspect the appliance and replace any part of the control system and any gas control that has been under water.
- Do not disconnect any part while unit is in use.
- Do not store a spare propane tank on or near this unit.
- If the heating unit is indoors, detach the propane tank and leave outdoors.
- Do not operate on a boat or vehicle. This unit must be used on a flat surface and outdoors ONLY.
- Always remove protective cover before operating (if applicable).
- Do not set the protective cover over the unit until it is turned off and completely cooled down.
- Check for leaks after not using the unit for long periods of time.
- Children should never operate this unit. Children must be supervised while near this unit.
- Keep gas tank at least 5 feet away from unit when lit. (if external tank)
- The maximum gas supply pressure is 250 psi.

Safety Information

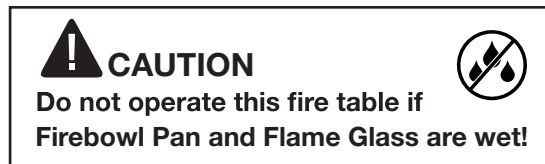
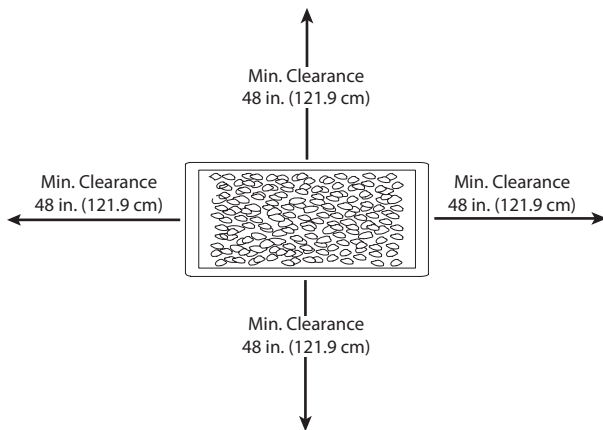
- All installation and repair should be done by a qualified professional. This unit should be inspected annually and cleaned regularly.
- Inspect all elements of this heating unit before each use. If there is damage, the burner must be replaced.
- Keep the hose out from any pathways to eliminate any accidental damage. (if external tank)
- Be aware of the hazards of high temperatures and stay away from the unit to avoid any burns or injury.
- The gas supply tank should be constructed and marked with the specifications for the LP gas tanks of the U.S. Department of Transportation or the National Standard of Canada CAN/CSA-B339, LP gas tanks, spheres and tubes for Transportation of Dangerous Goods; and Commission.
- The LP gas tank must have a listed overfilling prevention device and a QCCI or Type I, (CGA810) LP gas tank connection.
- This heating appliance should not be used on plastic or artificial wood decks.
- Children and adults should be alerted to the hazards of high surface temperatures and should stay away to avoid burns or clothing ignition.
- Young children should be carefully supervised when they are in the area of the appliance.
- Clothing or other flammable materials should not be hung from the appliance or placed on or near the appliance.
- Any guard or other protective device removed for servicing the appliance shall be replaced prior to operating the appliance.
- Installation and repair should be done by a qualified service person. The appliance should be inspected before use and at least annually by a qualified service person. More frequent cleaning may be required as necessary. It is imperative that the control compartment, burners and circulating airways of the appliance are kept clean.

IF APPLICABLE:

- Allow heating item to cool completely before placing on lid.
- DO NOT use heating item while lid is installed. Always remove the lid while heating item is in use. Only use the regulator and hose assembly provided with this unit. Replacement parts must be supplied directly by Jay Trends. Inspect the burner before use of this unit. If the burner shows any kind of damage, do not operate the appliance.

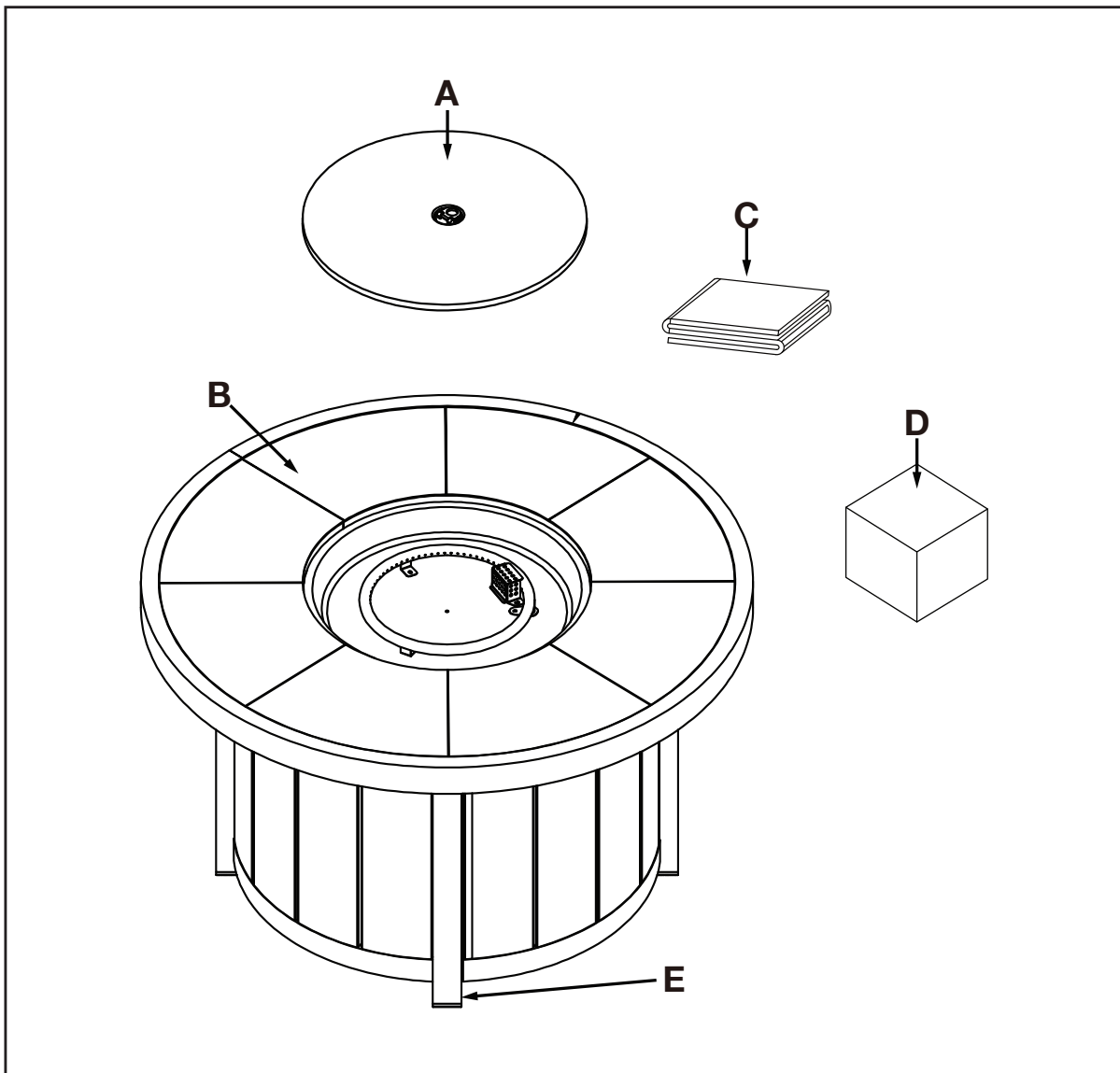
For assistance with repair or replacement of the burner or any other parts, call Jay Trends at 1-877-387-3639.

NOTE: You must follow all steps to properly assemble this heating item. Make sure the gas valve is turned "OFF" before assembling. Do NOT attempt to assemble without proper tools.



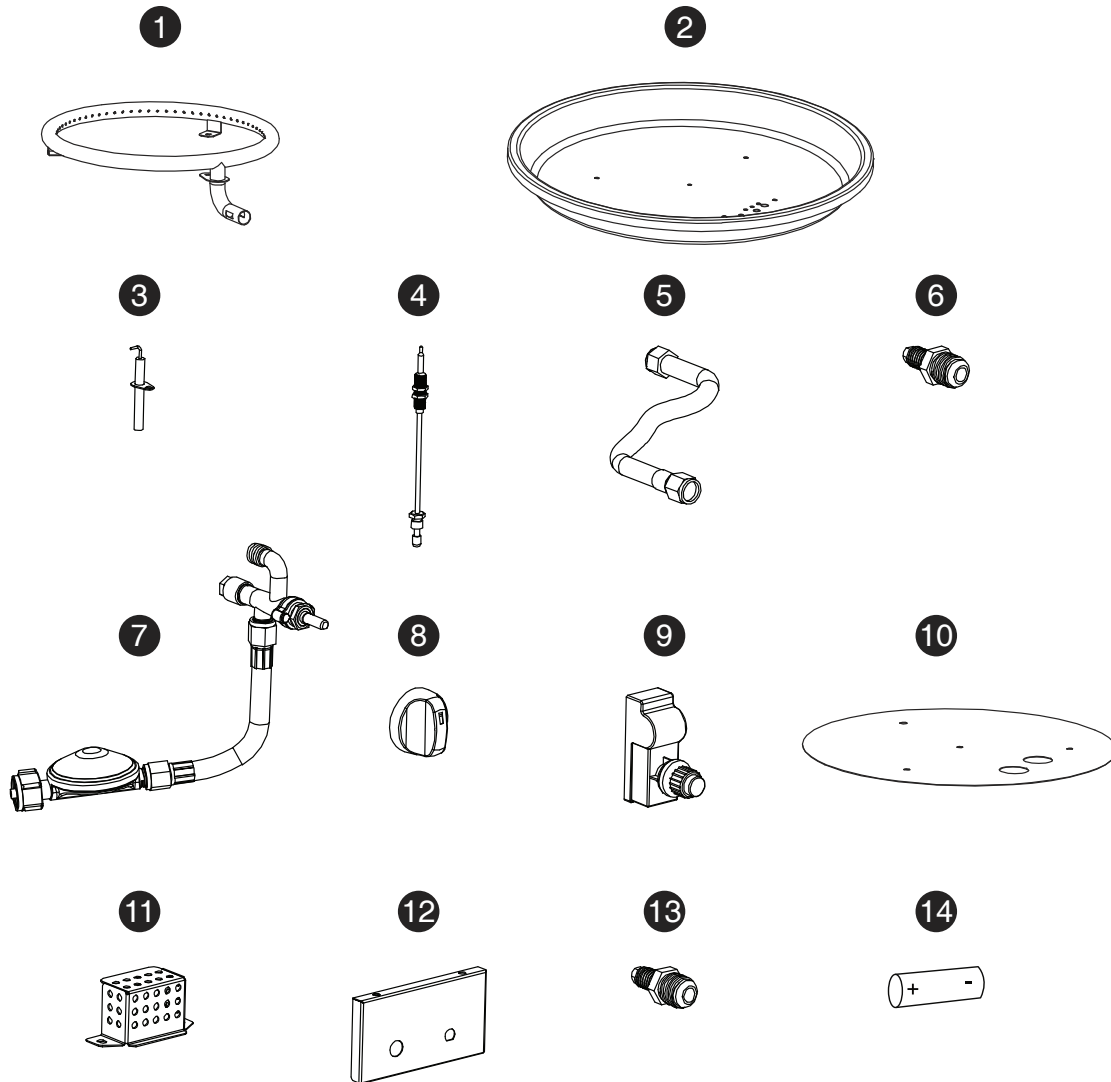
Combustible materials should not be within 72 in. of the top of the unit, or within 48 in. around the entire unit.

Package Contents



PART	DESCRIPTION	QUANTITY
A	Lid	1
B	Fire Table	1
C	Protective Cover	1
D	Flame Glass (24.2 lbs.)	1 Box
E	Pre-Assembled Feet	4

Hardware Contents



PART	DESCRIPTION	QUANTITY
1	Burner	1
2	Firebowl Pan	1
3	Ignition Pin	1
4	Thermocouple	1
5	Corrugated Pipe	1
6	LPG Reducer	1
7	Valve with LPG Hose and Regulator	1
8	Control Knob	1
9	Pulse Ignition	1
10	Heat Resistant Panel	1
11	Ignition Screen	1
12	Control Panel	1
13	NG Reducer	1
14	AAA Batteries	1

Safety Information

Please read and understand this entire manual before attempting to assemble, operate or install this appliance. If you have any questions regarding the product, please call customer service 1-877-387-3639, 8 a.m. – 4 p.m., EST, Monday – Friday. This appliance has been tested to and complies with the ANS Z21.97-2017/CSA 2.41-2017, Outdoor Decorative Gas Appliances CGA CR 97-003 Outdoor Gas Fireplaces. The installation must conform to local codes or in the absence of local codes, to the National Fuel Gas Code. ANSI Z223.1. This manual contains important information about the assembly, operation and maintenance of this fire table. General safety information is presented in the first few pages and is also located throughout this manual. Keep this manual for future reference and to educate new users of this appliance. This manual should be read in conjunction with the labeling on the appliance. Safety precautions are essential when any mechanical or propane fueled equipment is involved. These precautions are necessary when using, storing, and servicing. Using this appliance with the respect and caution demanded will reduce the possibilities of personal injury or property damage. The following symbols shown below are used extensively throughout this manual. Always heed these precautions, as they are essential when using any mechanical or propane fueled equipment.

**DANGER:**

DANGER indicates an imminently hazardous situation which, if not avoided, will result in death or serious injury.

**DANGER:**

Failure to comply with the precautions and instructions provided with this fire table can result in death, serious bodily injury and property loss or damage from hazards of fire, explosion, burn asphyxiation, and/or carbon monoxide poisoning. Only persons who can understand and follow the instructions should use or service this fire table.

**DANGER:****FOR YOUR SAFETY:**

If you smell gas:

1. Shut off gas to the appliance.
2. Extinguish any open flame.
3. If odor continues, keep away from the appliance and immediately call your gas supplier or fire department.

**CAUTION**

Do not operate this fire table if Firebowl Pan and Flame Glass are wet!



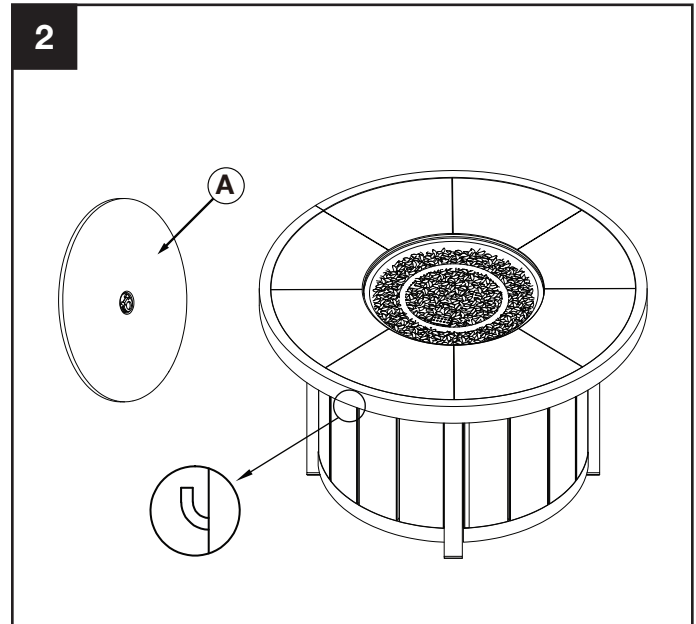
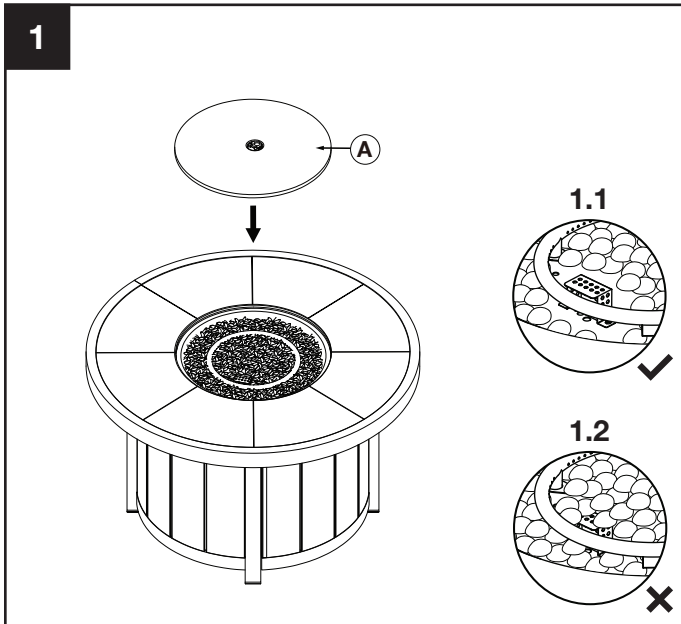
Solid fuels shall not be burned with this appliance.

STOP

Natural Gas Conversion

STOP

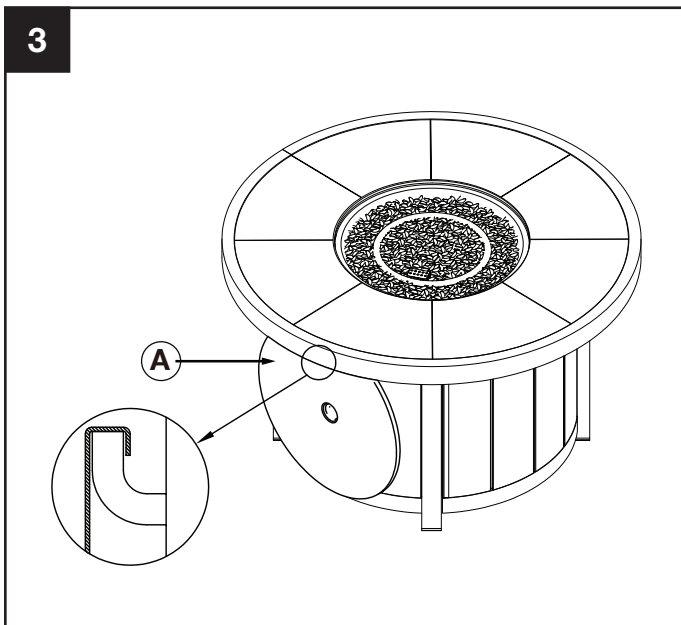
Natural gas conversion must be performed only by a natural gas provider or service company.
Refer to pages 11 - 13 for more information.



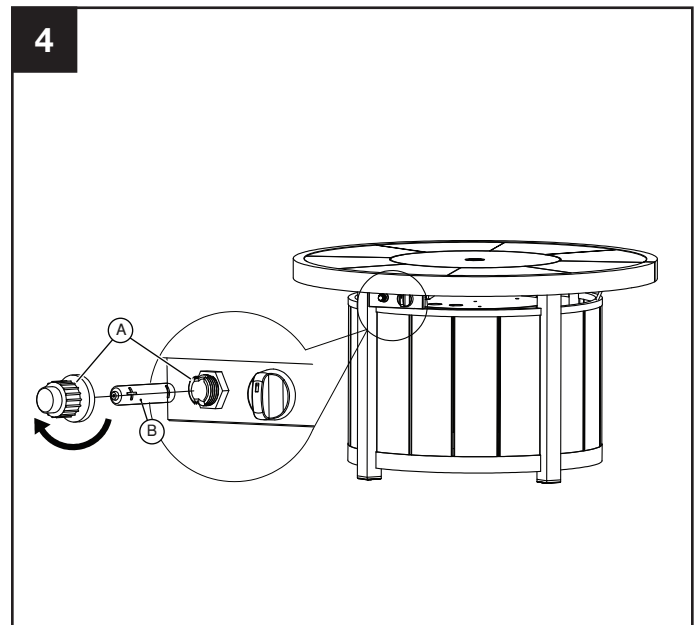
1. Turn assembled unit over to stand upright, pour flame glass (D) around burner and put lid (A) in place.

1.1. Leave adequate space around the Ignition Screen for ventilation.

1.2. DO NOT COVER THE IGNITION SCREEN when placing the flame glass into the firebowl. Always keep ignition screen visible.



3. Lid (A) can be stored on hooks as indicated when fire pit is in use.



4. Install Battery to Igniter (9). Remove the rubber cap on the electronic igniter (A) by unscrewing and slide battery (B) into the battery slot. Make sure the positive side of the battery faces outwards. Screw the electronic igniter cap (A) over the battery tightly.

Assembly

The propane gas and cylinder are sold separately. Use a standard 20 lb. propane cylinder only. Use this fire table only with a vapor withdrawal supply system. See Chapter 3 of the standard for storage and handling of liquefied petroleum gas, ANSA/NFPA 58. Your local library or fire department should have this book.

Storage of an appliance indoors is permissible only if the cylinder is disconnected and removed from the appliance. A cylinder must be stored outdoors in a well-ventilated area out of reach of children. A disconnected cylinder must have all dust caps tightly installed and must not be stored in a building, garage or any other enclosed area. The maximum inlet gas supply pressure: 250 psi. The minimum inlet gas supply pressure: 5 psi.

The minimum hourly rate of 10,000 BTUs is required input rating for a fire table for automatic operation at rating less than full input rating.

The pressure regulator and hose supplied with the appliance must be used. The installation must conform with local codes or in the absence of local codes, with national fuel gas code, ANS Z21.97-2017/CSA 2.41-2017, natural gas and propane Installation Code, CSA B1491.1, or propane storage and handling code, B149.2.

A dented, rusted or damaged propane cylinder may be hazardous and should be checked by your cylinder supplier. Never use a propane cylinder with a damaged valve connection.

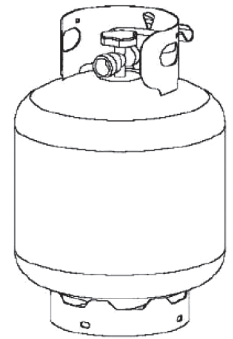
The propane cylinder must be constructed and marked in accordance with the specifications for LP gas cylinders of the U.S. Department of Transportation (DOT) or the standard for cylinders, spheres and tubes for transportation of dangerous goods and commission, CAN/CSA-B339.

The cylinder must have a listed overfilling prevention device.

The cylinder must have a connection device compatible with the connection for the appliance.

The cylinder used must include a collar to protect the cylinder valve.

Never connect an unregulated propane cylinder to the appliance.

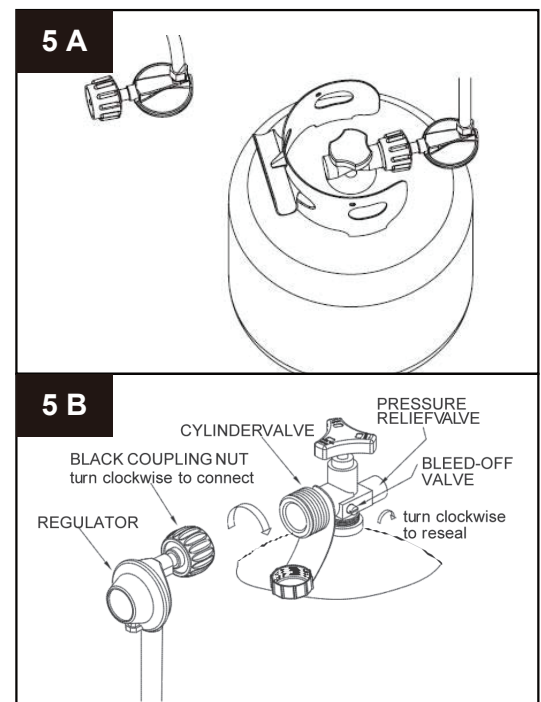


Standard 20 lb. tank

5. Connect Gas Tank

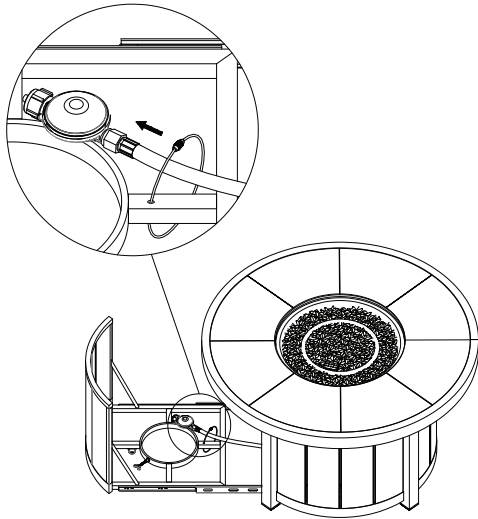
(A) Connect hose and regulator to cylinder.

(B) Turn the cylinder valve clockwise to close the gas supply on the gas cylinder. Screw the regulator coupling clockwise by hand only. Make sure it is fastened.



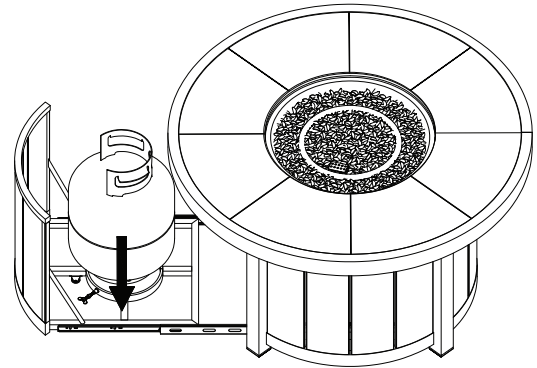
Assembly

6 A



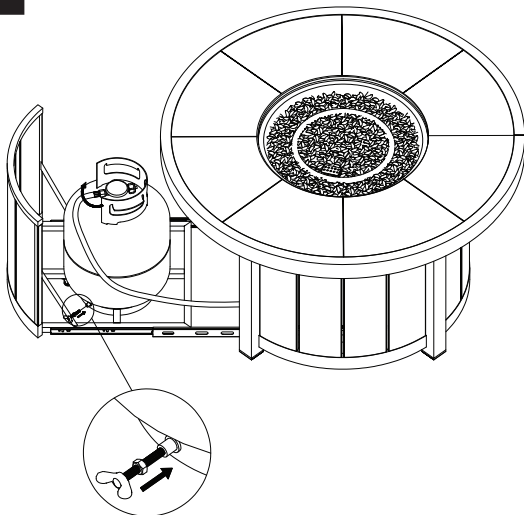
6 A. When you attach the regulator to the propane tank, please ensure the hose with regulator is inserted through the stainless steel coil.

6 B



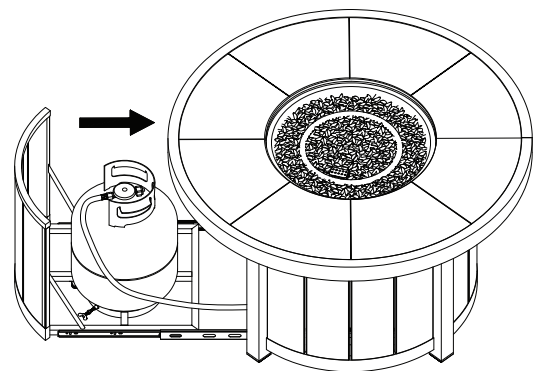
6 B. Install Cylinder. Put the cylinder into bottom Plate.

6 C



6 C. Secure the cylinder by tightening the screw in the bottom plate.

6 D



6 D. Close the door. Fire table assembly is now complete.

Assembly

7. Perform Leak Test



WARNING

Perform all tests outdoors.
Extinguish all open flames.
NEVER leak test when smoking.
Do not use the fire table until all connections have been leak tested and do not leak.

- (I) Make 2-3 oz. of leak test solution (one part liquid dishwashing detergent and three parts water).
- (II) Make sure all fire table and light valves are OFF.
- (III) Apply several drops of solution where hose attaches to regulator.
- (IV) Apply several drops of solution where regulator connects to cylinder.
- (V) Turn cylinder valve ON.

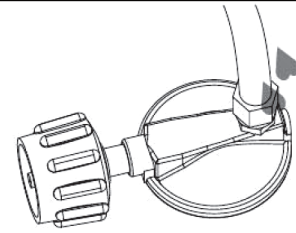
If bubbles appear at any connection, there is a leak.

- (I) Turn cylinder valve OFF.
- (II) If leak is at hose/regulator connection: tighten connection and perform another leak test. If bubbles continue appearing, the hose should be returned to the place of purchase.
- (III) If leak is at regulator/cylinder valve connection: disconnect, reconnect, and perform another leak test. If you continue to see bubbles after several attempts, cylinder valve is defective and should be returned to cylinder place of purchase.

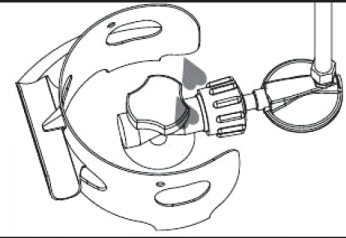
If NO bubbles appear at any connection, the connections are secure.

NOTE: Whenever gas connections are loosened or removed, you must perform a complete leak test.

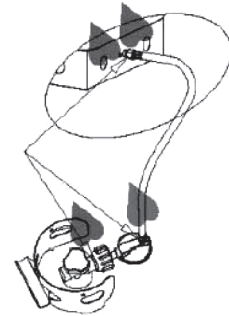
7



Hose/Regulator Connection



Regulator/Cylinder Connection



- Do not store a spare LP-gas cylinder under or near this appliance.
- Never fill the cylinder beyond 80 percent full.
- Place the dust cap on the cylinder valve outlet whenever the cylinder is not in use. Only install the type of dust cap on the cylinder valve that is provided with the cylinder valve. Other type of caps or plugs may result in leakage of propane.



CAUTION

Do not operate this fire table if Firebowl Pan and Flame Glass are wet!



Natural Gas Conversion

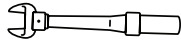
CAUTION

Natural gas conversion must be performed only by a natural gas provider or service company.

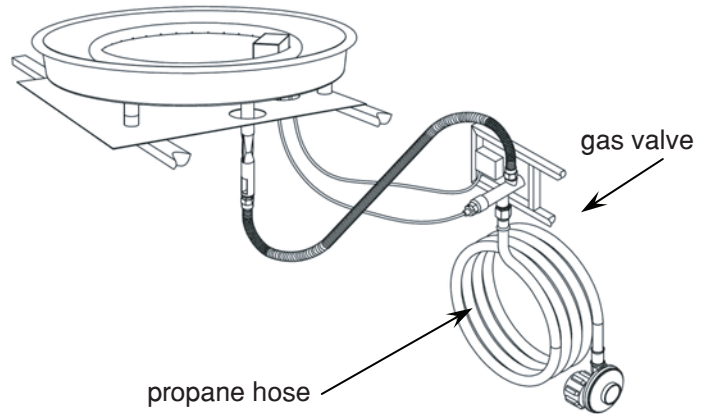
1. Unscrew and disconnect propane regulator from gas valve counterclockwise using the torque wrench.

Hardware Used

Torque Wrench



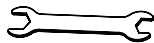
1



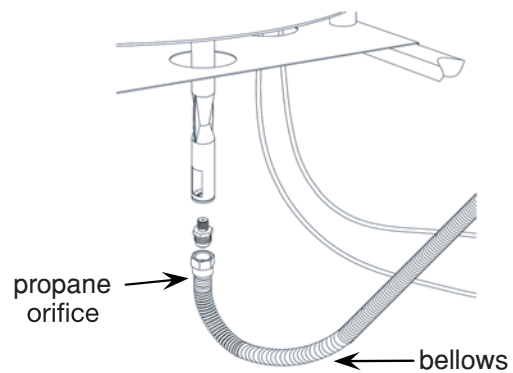
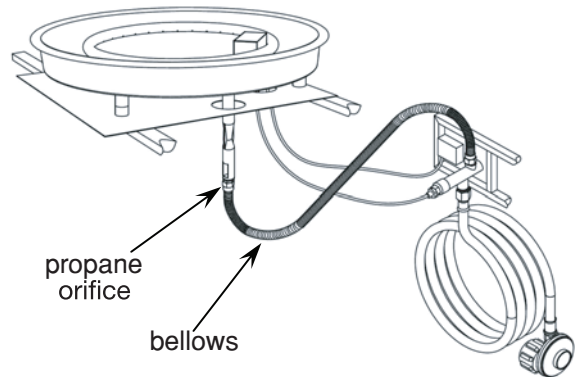
2. Unscrew and disconnect the bellows from propane orifice counterclockwise using the wrench, then disconnect the propane orifice from the inlet tube. Propane orifice is identified with a red mark.

Hardware Used

Wrench



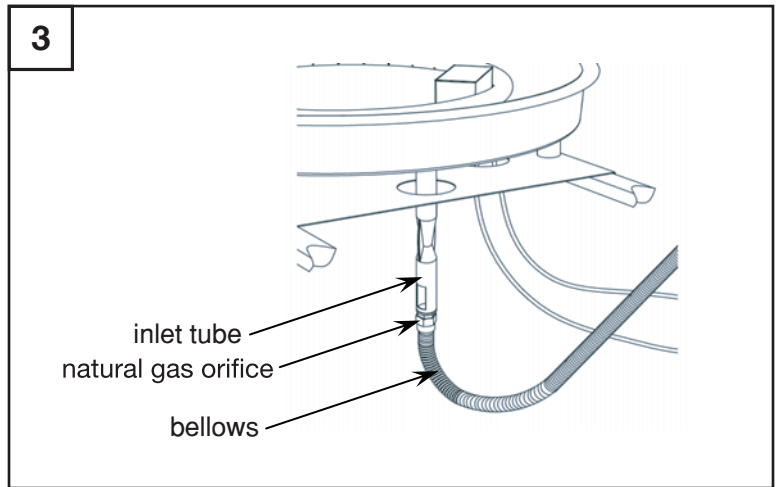
2



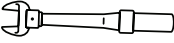
Natural Gas Conversion

3. Connect the bellows with natural gas orifice by screwing clockwise tightly using the wrench. Then connect and tighten the natural gas orifice with inlet tube using the wrench. Natural gas orifice is painted with a black mark.

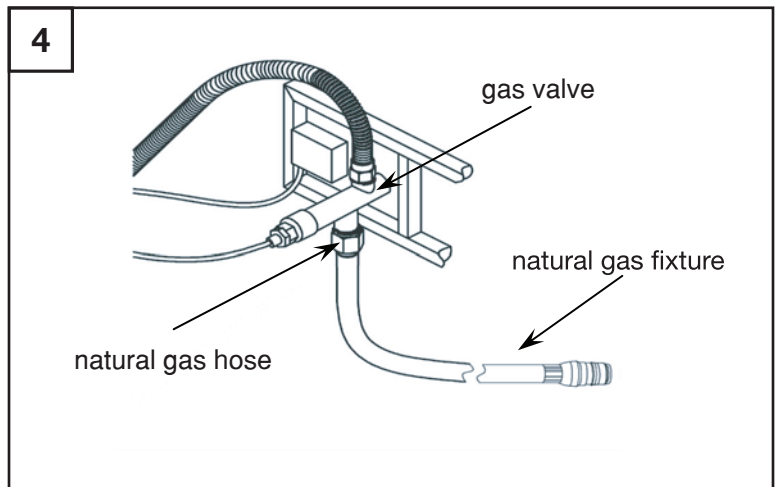
Hardware Used 
Wrench



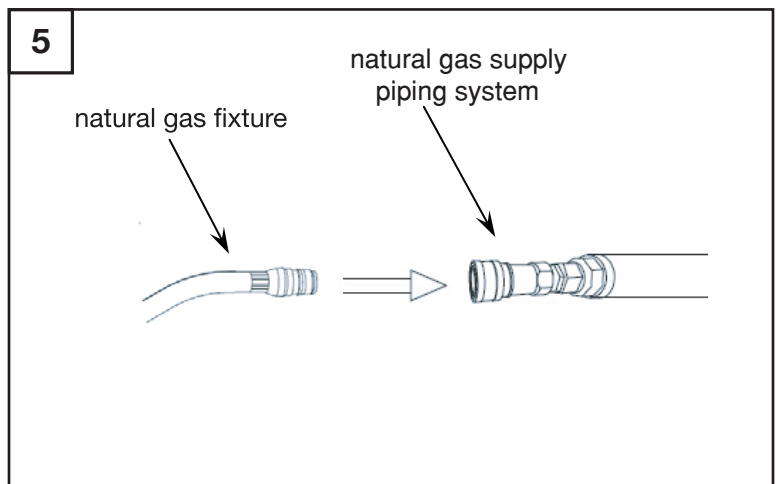
4. Connect the natural gas hose with gas valve by screwing clockwise tightly using the torque wrench.

Hardware Used 
Torque Wrench

Requires a CSA Certified NG Conversion kit 50 000 BTUs and 3/8" NG Hose.



5. Plug the natural gas fixture into the natural gas supply piping system.



Natural Gas Conversion

6. Retain the rating label for your records.

For valid warranty, your serial number plate must be kept with the manual.

6

EN VERSION:		Decorative Outdoor			
ANS Z21.97-2017 / CSA		Outdoor Decorative Gas Appliances		Gas Firepit Table	
2.41-2017		MFG Date:		Series No.:	
Outdoor Decorative Gas Appliances		Manufacturer: Foshan Genux Metal Products Co., Ltd		Model:	
No.11 Beiwai Rd, Xihai Industrial Zone, Beijiao Town, Shunde District, Foshan City, Guangdong, China					
Type of Gas: Natural Gas or Propane Gas					
ORIFICE SIZE: NG=3.66mm, LPG=2.12 mm		LPG	NG		
Manifold pressure for input Adj.		11.0in.w.c.(2.7kpa)	7.0 in.w.c (1.7kpa)		
BTU input		50,000 Btu/hr	50,000 Btu/hr		
CARBON MONOXIDE HAZARD					
This appliance can produce carbon monoxide which has no odor. Using it in an enclosed space can kill you. Never use this appliance in an enclosed space such as a camper, tent, car or home.					
Contact: Jay Trends Sales 1901 Aut. Transcanadienne, Dorval, QC H9P 1J1, Canada Tel: 1-877-387-3639					
▲ WARNING 1. Must not be used for cooking. 2. The current configuration of the appliance is for LP gas. If need to convert to NG use, please follow the conversion instruction in manual. 3. For outdoor use only. If stored indoors, detach and leave cylinder outdoors. 4. An LP-cylinder not connected for use shall not be stored in the vicinity of this or any other appliance. 5. If do not keep a safe distant, it will raise up the temperature of cylinder and cause explosion. 6. Do not connect to a remote gas supply. 7. The gas supply must be turned off at the LP-gas supply cylinder when this appliance is not in use.			Minimum clearance from sides and back of unit to adjacent combustible construction: From top: 6Ft. (2'), From sides: 3Ft. (36'). ▲ WARNING: Improper installation, adjustment, alteration service or maintenance can cause injury or property damaged. Refer to the owners information manual provided with this appliance. For assistance or additional information consult a qualified installer, service agency or the gas supplier. ▲ WARNING: Do not store or use gasoline or other flammable vapors and liquids in the vicinity of this or any other appliance. An LP-cylinder not connected for use shall not be stored in the vicinity of this or any other appliance. ▲ CAUTION: The gas pressure regulator provided with this appliance must be used. This regulator is set for an outlet pressure of 11 inches water column.		
■ The instruction manual contains important information necessary for the proper assembly and safe use of the appliance. ■ Read and follow all warnings and instructions before assembling and using the appliance. ■ Follow all warnings and instruction when using the appliance. ■ If instructions or parts are missing, contact 1-877-387-3639.					

WARNING

This conversion kit shall be installed by a qualified service agency in accordance with the manufacturer's instructions and all applicable codes and requirements of the Authority Having Jurisdiction. If the information in these instructions is not followed exactly, a fire, explosion or production of carbon monoxide may result causing property damage, personal injury or loss of life. The qualified service agency is responsible for the proper installation of this kit. The installation is not proper and complete until the operation of the converted appliance is checked as specified in the manufacturer's instructions supplier with the kit.

7. Perform Natural Gas Leak Test

(I) Make 2-3 oz. of leak test solution (one part liquid dishwashing detergent and three parts water).

(II) Apply several drops of solution where natural gas fixture attaches to natural gas supply piping system. If NO bubbles appear, the connections are secure. If bubbles appear, the connection has a leak, disconnect, reconnect, perform another leak test. If you continue to see bubbles after several attempts, the part is defective and should be replaced.

7

natural gas fixture

natural gas supply piping system

1-877-387-3639 | Page 13

Operation

Do not sit or stand on this fire table.

Keep children away during assembly, as this item contains small parts which can be swallowed by children.

Do not use indoors or inside any enclosure.

Retain the assembly instructions for future reference.

Installer – Please leave these instructions with the owner.

For a safe heating experience, perform these checks before each use.

Before Operating:

1. Familiarize yourself with owner's manual to understand all precautions.
2. All components are properly assembled, intact and operable.
3. No alterations have been made.
4. All gas connections are secure and do not leak.
5. Do not operate if wind is 10 mph or above.
6. Unit will operate at reduced efficiency below 40°F/4°C.
7. Fire table is outdoors (outside any enclosure).
8. There is adequate fresh air ventilation. Do not use this appliance if any part has been under water. Immediately call a qualified service technician to inspect the appliance and to replace any part of the control system and gas control which has been under water.
9. Fire table is away from gasoline or other flammable liquids or vapors.
10. Fire table is away from windows, air intake openings, sprinklers and other water sources.
11. Fire table is at least 48 in. on rear and sides from combustible materials and 72 in. from ceiling.
12. Fire table is on a hard and level surface.
13. There are no signs of spiders or insects.
14. All burner passages are clear.
15. All air circulation passages are clear.
16. Children and adults should be alerted to the hazards of high surface temperature and should stay away to avoid burns or clothing ignition.
17. Young children should be carefully supervised when they are in the area of the fire table.
18. Clothing or other protective material should not be hung from the fire table, or placed on or near the fire table.
19. Any guard or other protective device removed for servicing the fire table must be replaced prior to operating the fire table.
20. Installation and repair should be done by a qualified service person. The fire table should be inspected before use and at least annually by a qualified service person.
21. More frequent cleaning may be required as necessary. It is imperative that control compartment, burner and circulating air passageways of the fire table be kept clean.

After Operation:

1. Gas control is in OFF position.
2. Gas tank valve is OFF.
3. Gas line has been disconnected.
4. After each use, replace cap on gas tank.



CAUTION

Do not operate this fire table if Firebowl Pan and Flame Glass are wet!



DANGER CARBON MONOXIDE HAZARD

For outdoor use only. Never use inside house, or other unventilated or enclosed areas. This fire table consumes air (oxygen). Do not use in an unventilated or enclosed areas to avoid endangering your life.



WARNING: VERY HOT WHILE IN OPERATION

Never lean over the fire table while in use. Do not touch surfaces while the fire table is in operation. Wait until the fire table has completely cooled down after use. Failure to comply with these instructions may result in serious bodily injury.

Operation

Caution: Do not attempt to operate until you have read and understand all Safety Information in this manual and all assembly is complete and leak checks have been performed.

Before Turning Gas Supply On:

1. Your fire table was designed and approved for outdoor use only. Do NOT use it inside a building, garage, or any other enclosed area.
2. Make sure surrounding areas are free of combustible materials, gasoline, and other flammable vapors or liquids.
3. Ensure that there is no obstruction to air ventilation. Be sure all gas connections are tight and there are no leaks.
4. Be sure the cylinder cover is clear of debris. Be sure any component removed during assembly or servicing is replaced and fastened prior to starting.

Before Lighting:

1. Fire table should be thoroughly inspected before each use, and by a qualified service person at least annually. If relighting a hot fire table, always wait at least 5 minutes.
2. Inspect the hose assembly for evidence of excessive abrasion, cuts, or wear. Suspected areas should be leak tested. If the hose leaks, it must be replaced prior to operation. Only use the replacement hose assembly specified by manufacturer. The burner must be replaced prior to the appliance being put into operation if it is evident that the burner is damaged. The replacement burner should be specified by manufacturer.

Lighting:

1. Make sure the control knob is in the "OFF" position (Figure A).
2. Fully open LP cylinder valve.

Note: For initial start or after any cylinder change, hold Control Knob IN for 2 minutes to purge air from gas lines before proceeding.

3. Push in gas control knob, turn counterclockwise to "LOW" (Figure B), and press the BLACK Ignitor button to light the fire table. If needed, keep the control knob depressed and continue pressing the BLACK Ignitor button until the fire table lights (you should hear a clicking sound).

4. After the fire table lights, release control knob. To increase the flame, turn the control knob counterclockwise to "HIGH" (Figure C). To decrease the flame, turn the control knob clockwise to "LOW".

Note: If burner fails to remain lit, all valves should be closed and a waiting period of at least 5 minutes should pass before attempting to light.

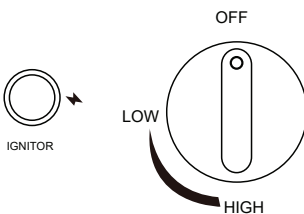


Figure A

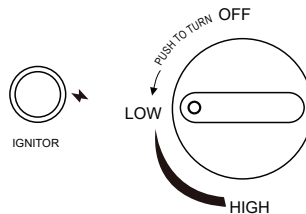


Figure B

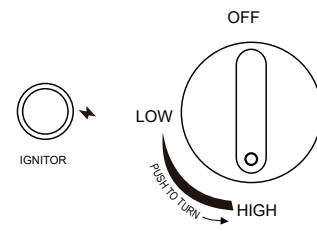


Figure C



WARNING FOR YOUR SAFETY

Be careful when attempting to manually ignite this fire table. Holding in the control knob for more than 10 seconds before igniting the gas will cause a ball of flame upon ignition.

Re-lighting:

1. Turn control knob to "OFF".
2. Repeat the "Lighting" steps on prior page.



WARNING FOR YOUR SAFETY

Fire table will be hot after use. Handle with extreme care.

Turn off:

1. To extinguish burner depress control knob and continue to turn it clockwise to "OFF".
2. Turn cylinder valve clockwise to "OFF" and disconnect regulator when fire table is not in use.

Care & Maintenance

To enjoy years of performance from your fire table, make sure you perform the following maintenance activities on a regular basis:

Keep exterior surfaces clean.

1. Use warm soapy water for cleaning. Never use flammable or corrosive cleaning agents.
 2. While cleaning your unit, be sure to keep the area around the burner dry at all times. Do not submerge the control valve assembly. If the gas control is submerged in water, do NOT use it. It must be replaced.
 - Keep the appliance area clear and free from combustible materials, gasoline and other flammable vapors and liquids.
 - Do not obstruct the flow of combustion and ventilation air.
 - Keep the ventilation opening of the cylinder enclosure free and clear from debris.
 3. Air flow must be unobstructed. Keep controls, burner, and circulating air passageways clean. Signs of possible blockage include:
 - Gas odor with extreme yellow tipping of flame.
 - Fire table does NOT reach the desired temperature.
 - Fire table glow is excessively uneven.
 - Fire table makes popping noises.
 - Spiders and insects can nest in burner or orifices. This dangerous condition can damage fire table and render it unsafe for use. Clean burner holes by using a heavy-duty pipe cleaner. Compressed air may help clear away smaller particles.
 - Carbon deposits may create a fire hazard. Clean burner with warm soapy water if any carbon deposits develop.
- Note:** In a salt-air environment (such as near an ocean), corrosion occurs more quickly than normal. Frequently check for corroded areas and repair them promptly.



WARNING FOR YOUR SAFETY

**Do not touch or move fire table for at least 45 minutes after use.
Fire table is hot to the touch.
Allow fire table to cool before touching.**

Storage

Between uses:

- Turn Control Knob OFF.
- Disconnect LP source.
- Store fire table in an area sheltered from direct contact with inclement weather (such as rain, sleet, hail, snow, dust and debris).
- **Cover fire table with lid and protective cover to prevent water from accumulating in the Firebowl Pan and to protect exterior surfaces.**

Note: Wait until fire table is cool before covering.

During periods of extended inactivity or when transporting:

- Turn Control Knob OFF.
- Disconnect LP source and move to a secure, well-ventilated location outdoors.
- Store fire table in an area sheltered from direct contact with inclement weather (such as rain, sleet, hail, snow, dust and debris).
- **Cover fire table with lid and protective cover to prevent water from accumulating in the Firebowl Pan and to protect exterior surfaces.**
- Never leave LP cylinder exposed to direct sunlight or excessive heat.

Note: Wait until fire table is cool before covering.

Service

Only a qualified service person should repair gas passages and associated components.

Troubleshooting

PROBLEM	POSSIBLE CAUSE	CORRECTIVE ACTION
Burner won't light	Propane cylinder is empty	Replace propane cylinder
	Blockage in orifice	Clear blockage
	Control knob is not in ON position	Turn control knob to ON
Burner flame is low	Gas pressure is low	Turn cylinder valve OFF and re-fill the cylinder
	Outdoor temperature is less than 40°F	Use a full cylinder
	Control knob is fully on	Check burner and orifices for blockage
Carbon build-up	Dirt or film on burner	Clean burner
Thick black smoke	Blockage in burner	Remove blockage and clean burner inside & outside

Storage

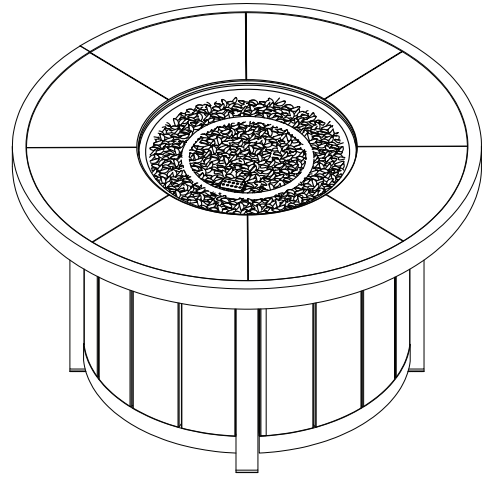


CAUTION

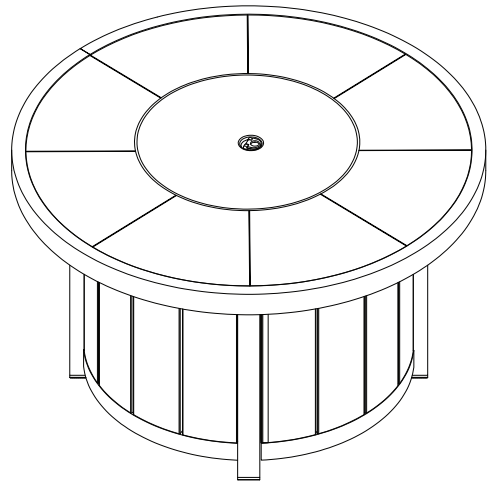
Do not operate this fire table if
Firebowl Pan and Flame Glass are wet!



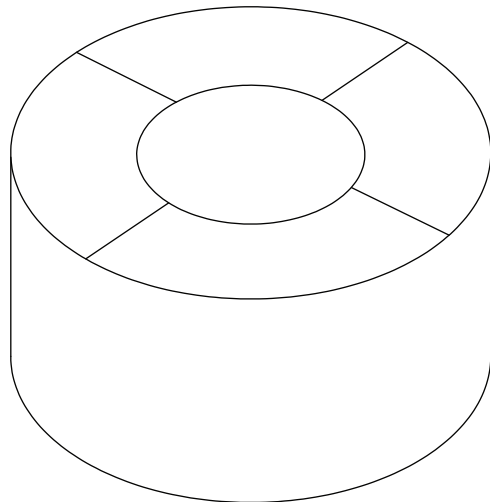
1



2



3



2. Cover fire table with lid (A) and protective cover (C) to prevent water from accumulating in the Firebowl Pan and to protect exterior surfaces.

3. Store fire table in an area sheltered from direct contact with inclement weather (such as rain, sleet, hail, snow, dust and debris).

Limited Warranty

JAY TRENDS SALES LIMITED ONE (1) YEAR WARRANTY

Jay Trends warrants your new outdoor fire table/ fire pit product will be free from defects in material and workmanship for one (1) year from the date of purchase.

Conditions and Limitations

Jay Trends warrants its products against manufacturing defects to the original purchaser only, and is subject to the following conditions and limitations:

This factory warranty is non-transferable and may not be extended what-so-ever by any of our representatives.

The product must be assembled, maintained, and operated in accordance with the printed instructions accompanying it.

This limited warranty does not cover damages caused by misuse, lack of maintenance, grease fires, hostile environments, accident, alterations, abuse or neglect and parts installed from other manufacturers will nullify this warranty. Discoloration from chemical cleaners or UV exposure is not covered by this warranty.

Any damages to the product due to weather damage, hail, rough handling, damaging chemicals or cleaners will not be the responsibility of Jay Trends.

This limited warranty does not cover any scratches, dents, painted finishes, corrosion or discoloring by heat, abrasive and chemical cleaners, nor chipping on porcelain enamel parts, nor any components used in the installation of the product.

Should deterioration of parts occur to the degree of non-performance (rusted through or burnt through) within the duration of the warranted coverage, a replacement part will be provided.

The bill of sale or copy will be required when making any warranty claims from Jay Trends.

All parts replaced under the Limited One (1) Year Warranty Policy are subject to a single claim.

Jay Trends will not be responsible for the installation, labor, or any other costs related to the re-installation of a warranted part, and such expenses are not covered by this warranty.

Jay Trends reserves the right to have its representative inspect any product or part prior to honoring any warranty claim.

Jay Trends shall not be liable for any transportation charges, labor costs, or export duties.

Replacement Parts

In the event that an item has been lost or damaged either by the manufacturer or in shipping you may request a replacement. Replacement parts are not available for all units and only given at Jay Trends' discretion. We will assess any damage and find a solution, which could include ordering and shipping a replacement to you. No replacements are available for discontinued items or repackaged (open box) products. Please call Jay Trends Customer Service at 1-877-387-3639 for replacement parts before returning the damaged item. Please have the following information, which can be found in your instruction manual, ready before you call Customer Service.

1. Model Number of Item #
2. Serial # _____ & MFG Date: _____
3. Shipping Address
4. A picture of the damaged item may be requested.
5. Pictures should be sent to custserv@jaytrends.com.

Jay Trends Sales
1901 Aut. Transcanadienne
Dorval, QC H9P 1J1, Canada
www.jaytrends.com

Customer Service: 1-877-387-3639 in USA & Canada
custserv@jaytrends.com