

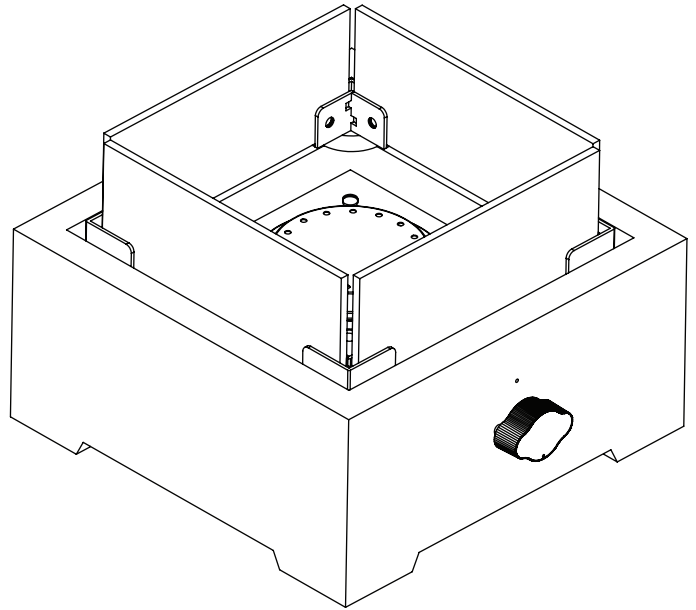
TABLE TOP GAS FIRE PIT

MODEL#F180102

ITEM# 9335



ANS Z21.97/CSA 2.41-2014
Outdoor Decorative Gas Appliances



Please read and understand this entire manual before attempting to assemble, operate or install the product. Save these instructions for future use.

! WARNING: For Outdoor Use Only.

! DANGER

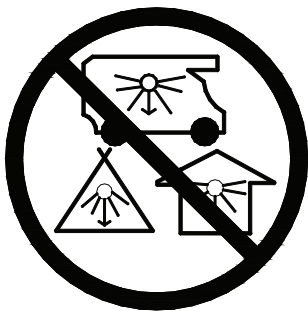
If you smell gas:

- Shut off gas to the appliance.
- Extinguish any open flame.
- If odor continues, keep away from the appliance and immediately call your gas supplier or fire department.

! WARNING

Do not store or use gasoline, or other flammable vapors and liquids, in the vicinity of this or any other appliance. An LP-cylinder not connected for use shall not be stored in the vicinity of this or any other appliance.

! DANGER



CARBON MONOXIDE HAZARD

This appliance can produce carbon monoxide which has no odor.

Using it in an enclosed space can kill you.

Never use this appliance in an enclosed space such as a camper, tent, car or home.

! WARNING:

Improper installation, adjustment, alteration, service or maintenance can cause injury or property damage. Read the installation, operating, and maintenance instructions thoroughly before installing or servicing this equipment.

Questions, Problems, Missing Parts?

Before returning to your retailer, call our customer service department at 1-877-387-3639, 8 a.m. – 5 p.m., EST, Monday – Friday.



IMPORTANT SAFETY INFORMATION

- ▲ DANGER:** Failure to follow the dangers, warnings and cautions in this manual may result in serious bodily injury or death, or in a fire or an explosion causing damage to property.
-
1. This appliance is for outdoor use only, and should NOT be used in a building, garage or any other enclosed area.
 2. Do NOT operate, light or use this appliance within ten feet (3.05 m) of walls, structures or buildings.
 3. For residential use only. This outdoor fire pit is NOT for commercial use.
 4. Do NOT use this outdoor fire pit for indoor heating. TOXIC carbon monoxide fumes can accumulate and cause asphyxiation.
 5. This outdoor fire pit is safety certified for use in the United States and/or Canada only. Do NOT modify for use in any other location. Modification will result in a safety hazard and will void your warranty.
 6. **Children and adults should be alerted to the hazards of high surface temperatures and should stay away to avoid burns or clothing ignition.**
 7. **Young children should be carefully supervised when they are in the area of the appliance.**
 8. **Clothing or other flammable materials should not be hung from the appliance or placed on or near the appliance.**
 9. **Any guard or other protective device removed for servicing the appliance shall be replaced prior to operating the appliance.**
 10. **Installation and repair should be done by a qualified service person. The appliance should be inspected before use and at least annually by a qualified service person. More frequent cleaning may be required as necessary. It is imperative that the control compartment, burners, and circulating air passageways of the appliance are kept clean.**
 11. **CAUTION:** The propane gas pressure regulator provided with this appliance must be used. This regulator is set for an outlet pressure of 11 inches water column.
 12. Apartment dwellers: Check with management to learn the requirements and fire codes for using a liquid propane (LP) gas outdoor firepit in your apartment complex. If allowed, use outside on the ground floor with a ten foot (3.05 m) clearance from any structure. Do NOT use on or under balconies.
 13. This outdoor fire pit, from the factory, is for use with LP gas only. The conversion to or attempted use of natural gas in this outdoor fire pit is dangerous, may cause bodily harm and will void your warranty.
 14. LP gas characteristics:
 - a. LP gas is flammable and hazardous if handled improperly. Become aware of the characteristics before using any LP gas product.
 - b. LP gas is explosive under pressure, heavier than air, and settles/pools in low areas.
 - c. LP gas in its natural state has no odor. For your safety, an odorant is added that smells like rotten cabbage.
 - d. Contact with LP gas can cause freeze burns to skin.
 15. LP gas cylinder needed to operate. Only cylinders marked "propane" may be used.
 - a. The LP gas cylinder must be constructed and marked in accordance with the U.S. Department of Transportation (D.O.T.) Specifications for LP-Gas Cylinders, or the Standard for Cylinders, Spheres and Tubes for the Transportation of Dangerous Goods and Commission, CAN/CSA-B339 as applicable.
 - b. LP gas cylinder must be arranged for vapor withdrawal.
 - c. Never use an LP gas cylinder with a damaged body, valve, collar or footing.
 - d. Dented or rusted LP gas cylinders may be hazardous and should be checked by your LP gas supplier prior to use.
 - e. The LP gas cylinder should not be dropped or handled roughly.
 - f. Cylinders must be stored outdoors, out of the reach of children, and must not be stored in a building, garage or any other enclosed area. Your LP gas cylinder must never be stored where temperatures can reach over 125°F.
 - g. Do NOT insert any tool or foreign object into the valve outlet or safety relief valve. You may damage the valve and cause a leak. Leaking propane may result in explosion, fire, severe personal injury or death.

 **IMPORTANT SAFETY INFORMATION**

- h. Never keep an LP gas cylinder in a hot car or trunk. Heat will cause the gas pressure to increase, which may open the relief valve and allow gas to escape.
- i. Do NOT store a spare LP gas cylinder under or near this appliance.
- j. A fire causing serious injury or damage to property may occur if the above is not followed exactly.
- 16. Your outdoor fire pit has been checked at all factory connections for leaks. Recheck all connections as described in the “Operating Instructions” section, as shipping can loosen connections.
- 17. Check for leaks even if your unit was assembled for you by someone else.
- 18. Do NOT operate if a gas leak is present. Gas leaks may cause a fire or explosion.
- 19. You must follow all instructions in the “Checking for Leaks” section before operating. To prevent a fire or explosion when testing for a leak:
 - a. Always perform a leak test before lighting this outdoor fire pit and each time the cylinder is connected for use.
 - b. No smoking. Do NOT use or permit sources of ignition in the area while conducting a leak test.
 - c. Conduct the leak test outdoors in a well-ventilated area.
 - d. Do NOT use matches, lighters or a flame to check for leaks.
 - e. The use of alcohol, prescription or non-prescription drugs may impair the consumer’s ability to properly assemble or safely operate the appliance.
 - f. Strong odors, colds, sinus congestion, etc. may prevent the detection of propane. Use caution and common sense when testing for leaks.
 - g. Do NOT use this outdoor fire pit until any and all leaks are corrected.
If you are unable to stop a leak, disconnect the LP gas supply. Call a gas appliance serviceman or your local LP gas supplier.
- 20. Do NOT store or use gasoline or other flammable liquids or vapors within 25 feet (7.62 m) of this appliance.
- 21. Do NOT use in an explosive atmosphere. Keep outdoor fire pit area clear and free from combustible materials, gasoline and other flammable vapors and liquids.
- 22. This outdoor fire pit is NOT to be operated by children.
- 23. This outdoor fire pit is NOT to be used in or on boats or recreational vehicles.
- 24. Do NOT connect to a remote gas supply.
- 25. Never attempt to attach this outdoor fire pit to the self-contained LP gas system of a camper trailer, motor home or house.
- 26. Always use in accordance with all applicable local, state and national codes. Contact your local fire department for details on outdoor burning. When using this outdoor fire pit, exercise the same precautions you would with any open fire.
- 27. Do NOT use this outdoor fire pit without reading the entire Owner’s Manual.
- 28. Do NOT burn solid fuels such as: wood, charcoal briquettes, lump charcoal, manufactured logs, driftwood, trash, leaves, paper, cardboard, plywood, painted/stained/pressure treated wood in this outdoor fire pit.
- 29. It is essential to keep the outdoor fire pit’s valve compartment, burners, and circulating air passages clean. Inspect outdoor fire pit before each use.
- 30. Do NOT use until it is COMPLETELY assembled and all parts are securely fastened and tightened.
- 31. Do NOT use near automobiles, trucks, vans or recreational vehicles.
- 32. Do NOT use under any overhang or near any unprotected combustible constructions. Avoid using near or under overhanging trees and shrubs.
- 33. Do NOT use for cooking.
- 34. Do NOT use if any part has been under water. Immediately call a qualified service technician to inspect the appliance and to replace any part or control system and any gas control which has been under water.
- 35. Do NOT wear flammable or loose clothing when operating this outdoor fire pit.
- 36. Do NOT use in windy conditions.
- 37. Never lean over this outdoor fire pit when lighting or when in use.
- 38. Do NOT use unless burner is securely in place.
- 39. Keep all electrical cords away from this outdoor fire pit during use.



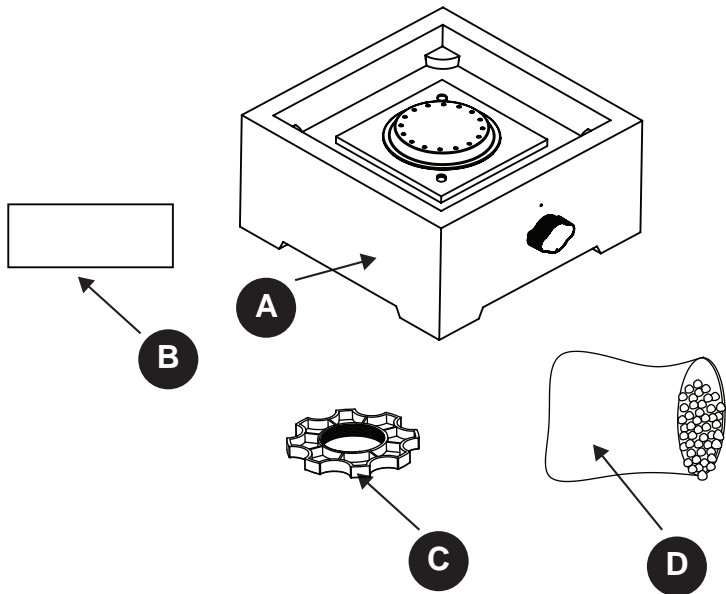
IMPORTANT SAFETY INFORMATION

40. Certain areas of this outdoor fire pit when in use will become too hot to touch. To avoid burns, do NOT touch hot surfaces until the unit has completely cooled, unless you are wearing protective gear insulated pot holders or heat-resistant gloves/mittens.
41. Do NOT leave a lit outdoor fire pit unattended, especially around children and pets.
42. Do NOT hang or place clothing or other flammable material on or near this appliance.
43. If applicable, protective cover must be removed when burner is in operation.
44. Do NOT attempt to move when in use. Allow the outdoor fire pit to cool before moving or storing.
45. This outdoor fire pit should be thoroughly cleaned and inspected on a regular basis. Inspect the burner before each use of the appliance. If there is evidence of burner damage, the burner must be replaced prior to the appliance being operated. Use only the burner specified by Foremost Groups Inc.
46. This outdoor firepit should be inspected at least annually by a qualified service person. Depending on amount of use, more frequent cleaning may be required. Do NOT operate until all parts have been repaired or replaced.
47. Use only the regulator assembly provided. Use only the replacement regulator assembly specified by Foremost Groups Inc. Use only the burner provided. Use only the replacement burner specified by Foremost Groups Inc.
48. Use only Foremost Groups Inc. factory-authorized parts. The use of any part that is not factory authorized can be dangerous and will void your warranty.
49. Do NOT operate this appliance without reading "Operating Instructions" in this manual.
50. Storage of this outdoor fire pit indoors is permissible only if the cylinder is disconnected, removed from the outdoor fire pit and properly stored outdoors.
51. Do NOT attempt to disconnect the gas regulator from the cylinder or any gas fitting while the outdoor fire pit is in use.
52. If the outdoor fire pit is not in use, the gas must be turned off at the supply cylinder.
53. The pressure regulator is set for 11 inches of water column.
54. The maximum inlet gas pressure for this outdoor fire pit is 11 inches of water column.
55. Before pressure testing, close LP gas cylinder valve and disconnect gas regulator. The gas supply piping system must test at pressures equal to or less than 1/2 psi (3.5 kPa).
56. Do NOT sit or stand on the mantle or any part of this appliance.
57. Do NOT throw anything onto the fire when the unit is in operation.
58. Fire logs, glass and lava rock are very hot. Keep children or pets at a safe distance from this appliance.
59. The opening of the cylinder collar should face toward the door side for easy access.
60. Do NOT store any combustible materials in the base enclosure.
61. Use protective gloves when assembling this product.
62. Do NOT force parts together as this can result in personal injury or damage to the product.
63. Death, serious injury or damage to property may occur if the above is not followed exactly.

⚠ WARNING: This product can expose you to chemicals including chromium (hexavalent compounds), which is known to the State of California to cause cancer and birth defects or other reproductive harm. For more information go to www.P65Warnings.ca.gov/furniture.

⚠ ADVERTENCIA: Este producto puede exponerle a químicos incluyendo chromium (hexavalent compounds), que es conocido por el Estado de California como causante de cáncer y defectos de nacimiento u otros daños reproductivos. Para mayor información, visite www.P65Warnings.ca.gov/furniture.

PACKAGE CONTENTS



PART	DESCRIPTION	QUANTITY
A	Fire pit body	1
B	Glass	4
C	Fixture fastener	1
D	Glass beads (3.08 lbs)	1 bag

HARDWARE CONTENTS

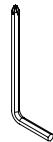
AA



Clip

Qty. 4

BB



Hex screwdriver

Qty. 1

PREPARATION

Before beginning assembly of product, make sure all parts are present. Compare parts with package contents list. If any part is missing or damaged, do not attempt to assemble the product.

ASSEMBLY INSTRUCTIONS

- Carefully unpack all parts from the box, compare parts with package content listed above, make sure all parts are present before beginning assembly of product. If any part is missing or damaged, do not attempt to assemble the product. Contact customer service for replacement parts.
- Check that the control knob is turned to the "OFF" position before starting any assembly (see Figure 1).

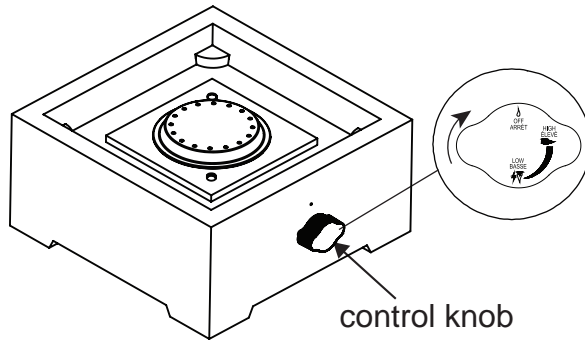


Figure 1

3. Remove the fixture fastener (C) from the firepit. Attach the firepit by aligning the post through the umbrella hole, then tighten the fixture fastener (C) clockwise (see Figure 2).

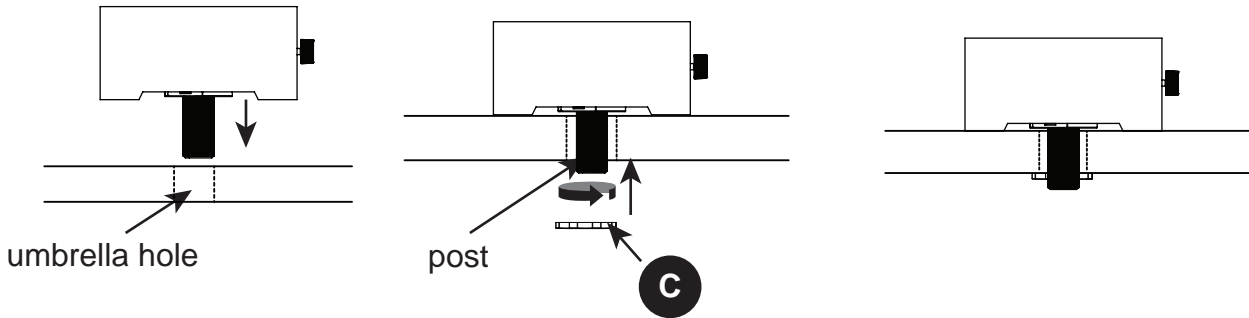


Figure 2

4. Insert 2 pcs glass (B) into the groove of the clip (AA), then tighten the bolts using Hex screwdriver (BB) (see Figure 3).

Hardware Used

- AA** Clip x 4
- BB** Hex screwdriver x 1

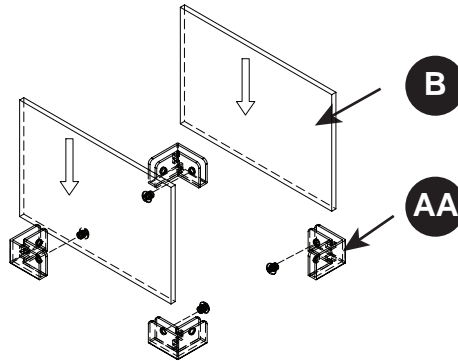


Figure 3

5. Insert 2 pcs glass (B) into the groove of the clip (AA), make sure the arrow labels on the short glass are in an upward direction, tighten the bolts using Hex screwdriver (BB) (see Figure 4).

Hardware Used

- BB** Hex screwdriver x 1

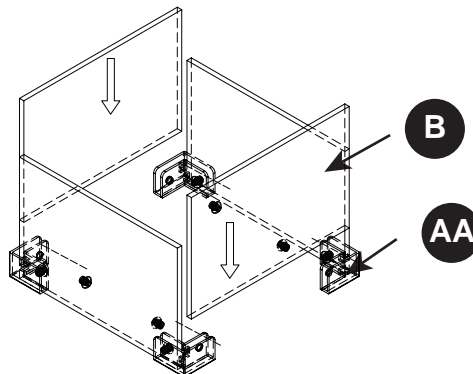


Figure 4

6. Insert glass shield onto the top of fire pit body (A) (see Figure 5).

⚠ WARNING
DO NOT touch the surface of glass shield when in use or just after use. Allow 30 minutes after use to cool down to prevent scalding.

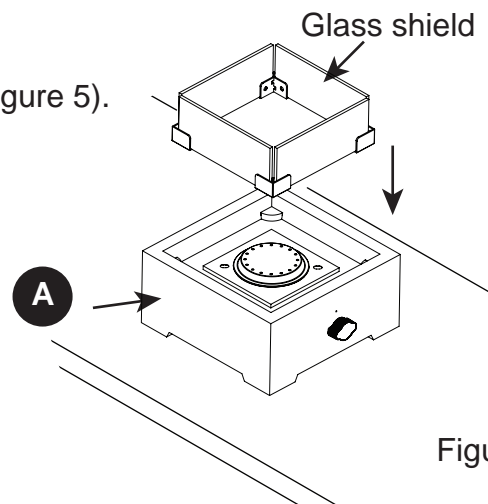


Figure 5

7. Installing LP Gas Cylinder

This firepit is designed to operate with a 1 lb. / 16.4 oz. propane gas cylinder (DOT 39 Cylinder) (see Figure 6).

DO NOT ATTEMPT TO REFILL ANY 1 lb. (16.4 oz.) PROPANE GAS CYLINDERS!

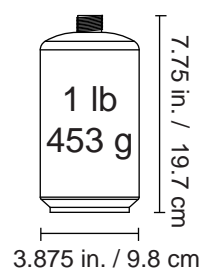


Figure 6

Connecting propane cylinder

Only cylinders marked “propane” may be used.

NOTE: Some 1 lb cylinders may form frost when near empty.

- (1). Before connecting, be sure there is no debris caught in the head of the burner or burner or burner ports.
- (2). Make sure the control knob is in the “OFF” position.
- (3). Lubricate the threads of the regulator with petroleum jelly. Line up threads on the propane cylinder with regulator.
- (4). Insert the propane cylinder.
- (5). Rotate the propane cylinder clockwise until they fit snugly together. **HAND TIGHTEN ONLY**. Be careful not to crossthread when screwing in cylinder (see Figure 7).
- (6). Perform leak test per “Checking for Leaks” section.

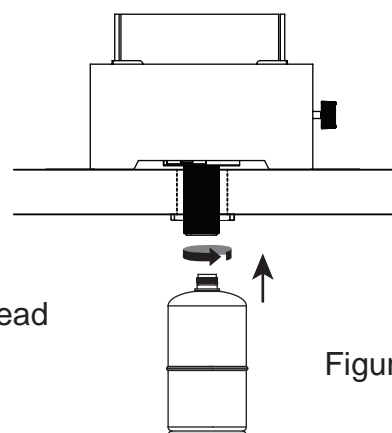


Figure 7

Disconnecting propane cylinder

- (1). Turn the control knob to the “OFF” position .
- (2). Rotate propane cylinder counterclockwise until it is loose (see Figure 8).
- (3). Remove the propane cylinder.
- (4). Store the propane cylinder in a proper location.
- (5). Place the protective cap cover on the propane cylinder and store the cylinder outdoors in a well ventilated area out of direct sunlight.

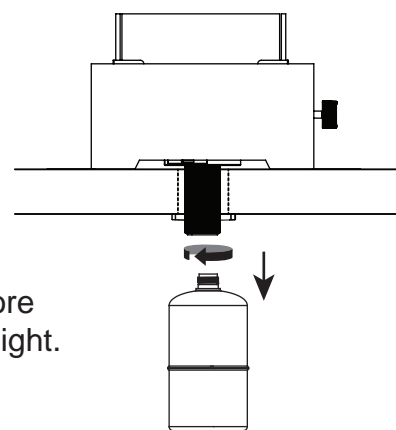


Figure 8

ASSEMBLY INSTRUCTIONS

8. Place the glass beads (D) into the fire pit body (A). Approx. 3.08 lbs of glass beads are required (see Figure 9).

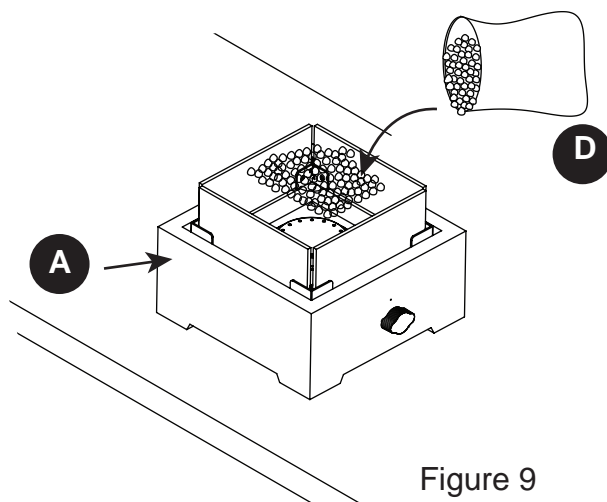


Figure 9

OPERATING INSTRUCTIONS

Checking for leaks

⚠ WARNING:

Before using this outdoor fire pit, make sure you have read, understand and are following all information provided in the "Safety Information" section beginning on page 2 and 3. Failure to follow those instructions can cause death, serious injury or property damage.

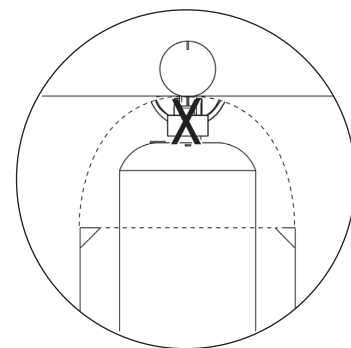


Figure 10

Burner connections

1. Make sure the valve connections are securely fastened to the burner and the cylinder.
2. Visually check the connection between the burner/venturi tube and orifice.
3. Make sure the burner/venturi tube fits over the orifice.
4. Please refer to diagram for proper installation (see Figure 10).
5. If the burner/venturi tube does not rest flush to the orifice as shown, please contact us for assistance.

⚠ WARNING:

Failure to inspect this connection or follow these instructions could cause a fire or an explosion which can cause death, serious bodily injury or damage to property.

Cylinder/Gas line connection

1. Make 2-3 oz. of leak detection solution by mixing one part liquid dishwashing soap with three parts water.
2. Make sure regulator/control knob is in the “OFF” position as shown (see Figure 11).
3. Apply the leak detection check solution on the “X” location as shown (see Figure 10).
 - a. If any bubbles appear, remove the LP gas cylinder and reconnect, make sure the connection is secure.
 - b. If you continue to see bubbles after several attempts, remove the LP gas cylinder per “Disconnect LP Gas Cylinder” section and contact us for assistance.
 - c. If no bubbles appear after one minute, turn regulator/control knob to the “ OFF” position, wipe away solution and proceed.

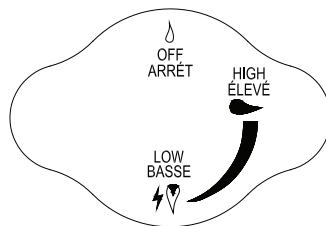


Figure 11

Lighting

⚠ WARNING:

NEVER light the burner with a cover on the outdoor fire pit.

⚠ CAUTION:

Keep outdoor gas appliance area clear and free from combustible materials, gasoline and other flammable vapors and liquids.

⚠ CAUTION:

Do NOT obstruct the flow of combustion and ventilation air.

⚠ CAUTION:

Check and clean burner/venturi tubes for insects and insect nests. A clogged tube can lead to a fire.

1. Make sure all packagings have been removed from the outdoor fire pit.
2. Check for obstructions of airflow to the burner. Spiders, insects and webs can clog the burner/venturi tube. A clogged burner tube can lead to a fire.
3. Control knob must be in the “OFF” position (Figure 12).
4. Clear small area of glass beads away from the igniter cover.
5. Connect propane cylinder per “Connecting Propane Cylinder” section.
6. Push and turn control panel counterclockwise to “High” position.
7. Use a match or a lighter to light the fire bowl.
8. Adjust flame to desired height with the control knob.
9. After lighting, observe the burner flame. Make sure all burner ports are lit and flame height matches illustration (Figures 13-15).

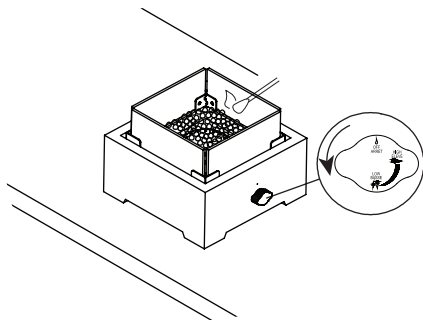


Figure 12

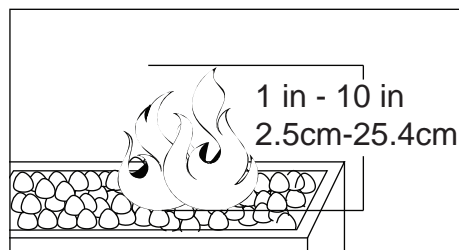
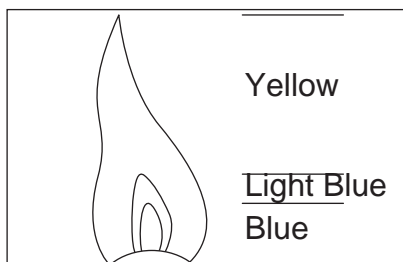
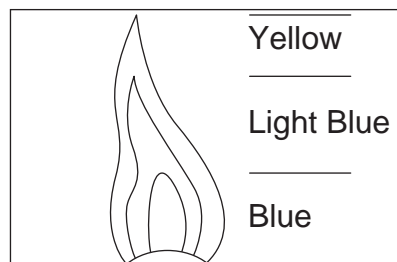


Figure 13



Needs Cleaning

Figure 14



Best Flame

Figure 15

⚠ CAUTION:

If ignition does not occur in 5 seconds, turn control knob to "OFF" wait 5 minutes, fan with a newspaper or magazine, and repeat lighting procedure.

⚠ CAUTION:

Disconnect propane cylinder when this appliance is not in use.

Turning off

1. Turn and push the control knob clockwise to the "OFF" position.
2. Disconnect propane cylinder per "Disconnecting propane cylinder" section. If ignition does NOT immediately take place in seconds, push and turn the control knob clockwise to "OFF" position. Wait 5 minutes and then repeat the lighting procedures as above.

NOTE: A "poof" sound is normal as the last of the LP gas is burned.

⚠ CAUTION:

Certain areas of this outdoor table top firebowl when in use will become too hot to touch. To avoid burns, do not touch hot surfaces until the table top firebowl has completely cooled down.

CARE AND MAINTENANCE

CAUTION:

1. All cleaning and maintenance should be done when outdoor fire pit is cool and with the fuel supply disconnected.
2. Do NOT clean any outdoor fire pit part in a self-cleaning oven. The extreme heat will damage the finish.
3. Do NOT enlarge valve orifices or burner ports when cleaning the valves or burners.

NOTES

1. This outdoor fire pit should be thoroughly cleaned and inspected on a regular basis.
2. Abrasive cleaners will damage this product.
3. NEVER use oven cleaner to clean any part of this outdoor fire pit.

Before Each Use:


1. Keep the outdoor fire pit area clear and free from any combustible materials, gasoline, and other flammable vapors and liquids.
2. Do NOT obstruct the flow of the combustion of LP gas and the ventilation of air.
3. Keep the ventilation opening(s) of the LP gas cylinder area free and clear from debris.
4. Visually check the burner flames to make sure your outdoor firepit is working properly (Figure 11).
5. See below for proper cleaning instructions.
6. Check all gas connections for leaks.
7. Check components for any signs of damage or rust.
8. Check for obstructions of airflow to the burner Spiders, insects and webs can clog the burner/venturi tube. A clogged burner/venturi tube can lead to a fire.
9. If damage to any component is detected, do NOT operate until repairs are completed.

Cleaning Surfaces

1. Wipe surfaces clean with mild dishwashing detergent or baking soda mixed with water.
2. For stubborn stains, use a citrus-based cleaner and a nylon scrubbing brush.
3. Rinse clean with water.
4. Allow to air dry.

Before Storing

1. Turn control knob to the "OFF" position.
Note: A "poof" sound is normal as the last of the gas is burned.
2. Disconnect LP gas cylinder per "Disconnecting LP Gas Cylinder" section.
3. Clean all surfaces.
4. Lightly coat the burner with cooking oil to prevent excess rusting.
5. If storing the outdoor fire pit indoors, cover and store it in a cool dry location away from children and pets.
6. If storing the outdoor fire pit outdoors, cover with a cover for protection from the weather.

 **CAUTION:** NEVER place a cover on hot outdoor firepit.

TROUBLESHOOTING

PROBLEM	POSSIBLE CAUSE	CORRECTIVE ACTION
The burner will not ignite.	<ol style="list-style-type: none">1. The gas cylinder is frosted over.2. The openings are blocked.3. The control knob is not in the "ON" position.4. There may be too many glass beads covering the burner bowl or small pieces may be blocking the burner ports.	<ol style="list-style-type: none">1. Wait until gas cylinder warms up and becomes unfrosted.2. Clear the blockage.3. Turn the control knob to the "ON" position.4. Remove a portion of the glass beads. Make sure the glass beads just cover the upper surface of the burner.
The burner flame is too low.	<ol style="list-style-type: none">1. The gas pressure is low.2. The cylinder is less than 1/4 full.	<ol style="list-style-type: none">1. Turn the cylinder valve off and replace the cylinder. Check the burner ports for blockage.2. Use a full gas cylinder.
Carbon build-up and/or thick black smoke is present.	<ol style="list-style-type: none">1. There is dirt or film on the reflector and burner screen.2. The burner is blocked.	<ol style="list-style-type: none">1. Clean the reflector and burner screen.2. Remove any blockage and clean the burner inside and outside.

WARRANTY

JAY TRENDS SALES LIMITED ONE (1) YEAR WARRANTY

Jay Trends warrants your new outdoor fire table/ fire pit product will be free from defects in material and workmanship for one (1) year from the date of purchase.

Conditions and Limitations

Jay Trends warrants its products against manufacturing defects to the original purchaser only, and is subject to the following conditions and limitations:

This factory warranty is non-transferable and may not be extended what-so-ever by any of our representatives.

The product must be assembled, maintained, and operated in accordance with the printed instructions accompanying it.

This limited warranty does not cover damages caused by misuse, lack of maintenance, grease fires, hostile environments, accident, alterations, abuse or neglect and parts installed from other manufacturers will nullify this warranty. Discoloration to plastic parts from chemical cleaners or UV exposure is not covered by this warranty.

Any damages to the product due to weather damage, hail, rough handling, damaging chemicals or cleaners will not be the responsibility of Jay Trends.

This limited warranty does not cover any scratches, dents, painted finishes, corrosion or discoloring by heat, abrasive and chemical cleaners, nor chipping on porcelain enamel parts, nor any components used in the installation of the product.

Should deterioration of parts occur to the degree of non-performance (rusted through or burnt through) within the duration of the warranted coverage, a replacement part will be provided.

The bill of sale or copy will be required when making any warranty claims from Jay Trends.

All parts replaced under the Limited One (1) Year Warranty Policy are subject to a single claim.

Jay Trends will not be responsible for the installation, labor, or any other costs related to the re-installation of a warranted part, and such expenses are not covered by this warranty.

Jay Trends reserves the right to have its representative inspect any product or part prior to honoring any warranty claim. Jay Trends shall not be liable for any transportation charges, labor costs, or export duties.

Replacement Parts

In the event that an item has been lost or damaged either by the manufacturer or in shipping you may request a replacement. Replacement parts are not available for all units and only given at Jay Trends' discretion. We will assess any damage and find a solution, which could include ordering and shipping a replacement to you. No replacements are available for discontinued items or repackaged (open box) products. Please call Jay Trends Customer Service at 1-877- 387-3639 for replacement parts before returning the damaged item. Please have the following information, which can be found in your instruction manual, ready before you call Customer Service.

1. Model Number of Item #
2. Lot Code Number #
3. Shipping Address
4. A picture of the damaged item may be requested.
5. Pictures should be sent to custserv@jaytrends.com

Jay Trends Sales
Dorval, QC H9P 1J1, Canada

Customer Service: 1-877-387-3639 Ext. 400 in USA & Canada custserv@jaytrends.com

REPLACEMENT PARTS LIST

For replacement, call our customer service department at 1-877-387-3639, 8 a.m. – 5 p.m., EST, Monday – Friday.

PART	DESCRIPTION	PART#
A	Fire pit body	TFB-A
B	Glass	TFB-B
C	Fixture fastener	TFB-C
D	Glass bead	TFB-D
AA	Clip	TFB-AA

